

XXX
(DOUBLE LINE LAYOUT 1)
INTERLOCKING CONTROL TABLE

SIGNAL SCHEME PLAN VERSION No: SSP.ZONE.DIV.XXX.Ø1 (DL1)

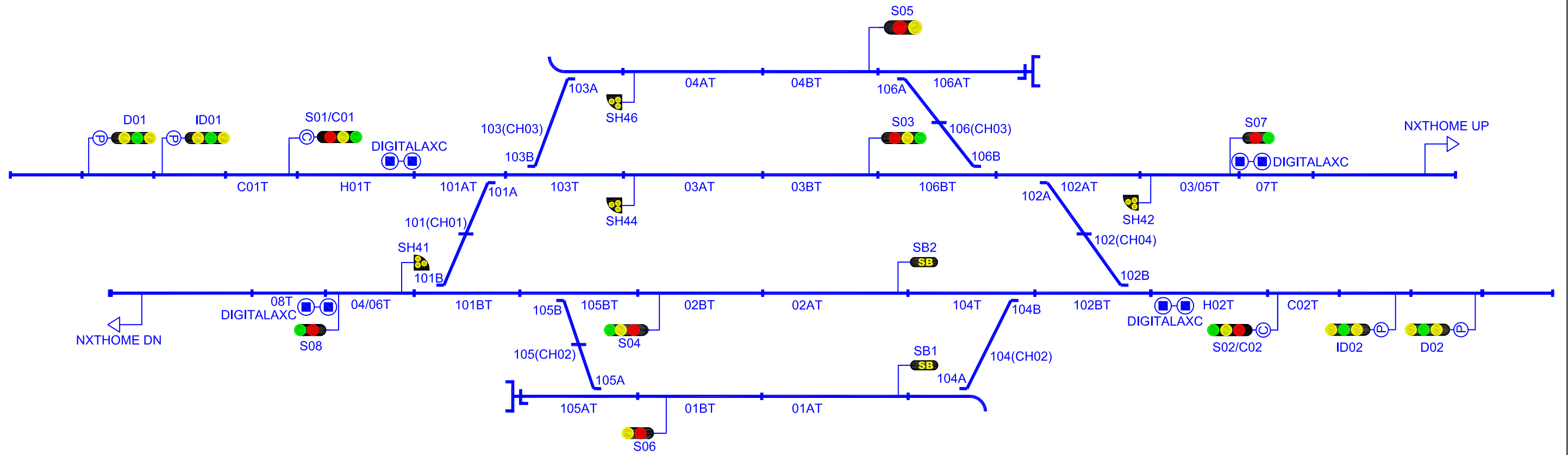
PRODUCTION & CHECKER BLOCK					INTERLOCKING CONTROL TABLE		COVER SHEET	
COMPANY		RAILWAYS			ICT.ZONE.DIV.XXX.Ø1		SHEET No:	VERSION
DRAWN		DRAWN	(SSE/D)*				XXX (DOUBLE LINE LAYOUT 1)	
CHECKED	(SD)† (DV)†	CHECKED	(ASTE)* (SSTE)*					
APPROVED	(CRE)†	APPROVED	(Dy.CSTE)*					
CRE: CONTRACTOR'S RESPONSIBLE ENGINEER *SIGNATURE WITH DATE, † SIGNATURE WITH DATE AND LICENSE No								

SHEET NO	VERSION	DESCRIPTION	STATUS ***	MODIFICATION SHEET SERIAL NUMBERS	TESTED	REMARKS
000	01	COVER SHEET				
X1	01	INDEX				
001	01	STATION LAYOUT				
002	01	INTERLOCKING CONTROL TABLE PART I				
003	01	INTERLOCKING CONTROL TABLE PART II				
004	01	INTERLOCKING CONTROL TABLE PART III				

*** NEW OR (R) RED OR (G) GREEN OR (R/G) RED AND GREEN

PRODUCTION & CHECKER BLOCK				INTERLOCKING CONTROL TABLE ICT.ZONE.DIV.XXX.Ø1 XXX (DOUBLE LINE LAYOUT 1)	INDEX	
COMPANY		RAILWAYS			SHEET No:	VERSION
DRAWN		DRAWN	(SSE/D)*			
CHECKED	(SD)†	CHECKED	(ASTE)*		x1	Ø1
	(DV)†		(SSTE)*			
APPROVED	(CRE)†	APPROVED	(Dy.CSTE)*			
CRE: CONTRACTOR'S RESPONSIBLE ENGINEER *SIGNATURE WITH DATE, † SIGNATURE WITH DATE AND LICENSE No						

XXX (DOUBLE LINE LAYOUT 1)



PRODUCTION & CHECKER BLOCK					INTERLOCKING CONTROL TABLE		STATION LAYOUT	
COMPANY		RAILWAYS			ICT.ZONE.DIV.XXX.Ø1		SHEET No:	
DRAWN		DRAWN	(SSE/D)*				ØØ1	
CHECKED	(SD)†	CHECKED	(ASTE)*		XXX (DOUBLE LINE LAYOUT 1)			
	(DV)†		(SSTE)*					
APPROVED	(CRE)†	APPROVED	(Dy.CSTE)*		XXX (DOUBLE LINE LAYOUT 1)		Ø1	
CRE: CONTRACTOR'S RESPONSIBLE ENGINEER *SIGNATURE WITH DATE, † SIGNATURE WITH DATE AND LICENSE No								

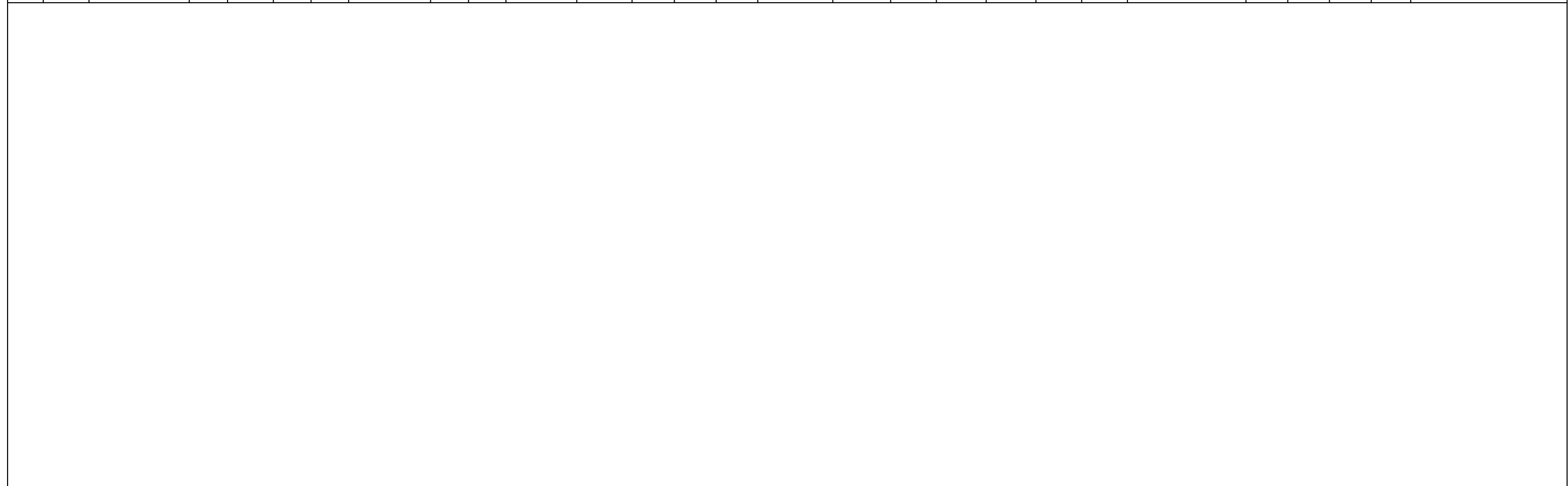
SNo.	SIGNAL NO.	TO DESTINATION	SELECT ROUTE		IN ROUTE			OVERLAP			ISOLATION		CRANK HANDLE NORMAL	FOULING TRACK CIRCUITS	APPROACH LOCK BY TRACK CIRCUITS	BACK LOCK BY TRACK CIRCUITS	SIGNAL REPLACED BY TRACK CIRCUITS	OVERLAP RELEASES AFTER 120 SEC BY		SLOTTED BY GATE	RELEASED BY OTHER CONTROLS & SIDING POINT DETECTION	LOCKS ROUTES	SIGNAL ASPECT CONTROLLED BY				REMARKS									
			SIGNAL BUTTON	ROUTE BUTTON	Point		TRACK CIRCUIT	Point		TRACK CIRCUIT	Point							OCCUPIED BY TRACK CIRCUITS	CLEARANCE OF TRACK CIRCUITS				YELLOW WITH ROUTE	YELLOW	DOUBLE YELLOW	GREEN										
					NOR.	REV.		NOR.	REV.		NOR.	REV.																								
1	D01	ID01	—	—	—	—	—	—	—	—	—	—	—	—	—	—	—	—	—	—	—	—	—	—	—	—	—	—	—	—	—	—	—	DG CONTROLLED BY ID01 DG/HHG WITH POINTS 103N		
2	D02	ID02	—	—	—	—	—	—	—	—	—	—	—	—	—	—	—	—	—	—	—	—	—	—	—	—	—	—	—	—	—	—	—	DG CONTROLLED BY ID02 DG/HHG WITH POINTS 102N,104N		
3	ID01	S01	—	—	—	—	—	—	—	—	—	—	—	—	—	—	—	—	—	—	—	—	—	—	S01 HG	S01 DG	—	—	—	—	—	—	—	—	—	
4	ID02	S02	—	—	—	—	—	—	—	—	—	—	—	—	—	—	—	—	—	—	—	—	—	—	S02 HG	S02 DG	—	—	—	—	—	—	—	—	—	
5	S01	UP MAIN	S01	03	101, 103	—	H01T,101AT, 103T,03AT, 03BT,	102, 106	—	106BT,102AT, 03/05T	—	—	CH01, CH03, CH04	—	DEAD APPROACH	H01T, 101AT, 103T	H01T	03AT, 03BT	103T	—	—	C01-03, SH42-03	—	S03 RG/ HG/ DG	—	S03 DG	—	—	—	—	—	—	—	—	TIME RELEASE 120 SEC.	
6	S01	UP LOOP SET TO SAND HUMP	S01	04-2	101	103	H01T,101AT, 103T,04AT, 04BT,	106	—	106AT	—	—	CH01, CH03	—	DEAD APPROACH	H01T, 101AT, 103T	H01T	04AT, 04BT	103T	—	—	C01-04-1, SH42-03	S05 RG	—	—	—	—	—	—	—	—	—	—	—	—	TIME RELEASE 120 SEC.
7	S01	UP LOOP SET TO MAIN	S01	04-1	101	103	H01T,101AT, 103T,04AT, 04BT,	102	106	106AT,106BT, 102AT,03/05T	—	—	CH01, CH03, CH04	—	DEAD APPROACH	H01T, 101AT, 103T	H01T	04AT, 04BT	103T	—	—	C01-04-1, SH42-04-1	S05 RG/ HG	—	—	—	—	—	—	—	—	—	—	—	—	TIME RELEASE 120 SEC.
8	C01	UP MAIN	C01	03	101, 103	—	C01T OCCUPIED	—	—	—	—	—	CH01, CH03	—	DEAD APPROACH	H01T, 101AT, 103T	—	—	—	—	—	—	—	—	—	—	—	—	—	—	—	—	—	—	TIME RELEASE 120 SEC. HG CLEARS AFTER 60 SEC.	
9	C01	UP LOOP	C01	04-1	101	103	C01T OCCUPIED	—	—	—	—	—	CH01, CH03	—	DEAD APPROACH	H01T, 101AT, 103T	—	—	—	—	—	—	—	—	—	—	—	—	—	—	—	—	—	—	TIME RELEASE 120 SEC. HG CLEARS AFTER 60 SEC.	
10	S02	DN MAIN	S02	02	102, 104	—	H02T,102BT, 104T,02AT, 02BT,	101, 105	—	105BT,101BT, 04/06T	—	—	CH01, CH02, CH04	—	DEAD APPROACH	H02T, 102BT, 104T	H02T	02AT, 02BT	104T	—	—	CO2-02, SH41-02	—	S04 RG/ HG/ DG	—	S04 DG	—	—	—	—	—	—	—	—	TIME RELEASE 120 SEC.	
11	S02	DN LOOP SET TO SAND HUMP	S02	01-2	102	104	H02T,102BT, 104T,01AT, 01BT,	105	—	105AT	—	—	CH02, CH04	—	DEAD APPROACH	H02T, 102BT, 104T	H02T	01AT, 01BT	104T	—	—	CO2-01-1, SH41-02	S06 RG	—	—	—	—	—	—	—	—	—	—	—	—	TIME RELEASE 120 SEC.

PRODUCTION & CHECKER BLOCK												INTERLOCKING CONTROL TABLE				PART I							
COMPANY		RAILWAYS														SHEET No:		VERSION					
DRAWN		DRAWN	(SSE/D)*																				
CHECKED	(SD)†	CHECKED	(ASTE)*																				
	(DV)†		(SSTE)*																				
APPROVED	(CRE)†	APPROVED	(Dy.CSTE)*																				
CRE: CONTRACTOR'S RESPONSIBLE ENGINEER												XXX				ØØ2				Ø1			
*SIGNATURE WITH DATE, † SIGNATURE WITH DATE AND LICENSE No												(DOUBLE LINE LAYOUT 1)											

SNo.	SIGNAL NO.	TO DESTINATION	SELECT ROUTE		IN ROUTE			OVERLAP			ISOLATION		CRANK HANDLE NORMAL	FOULING TRACK CIRCUITS	APPROACH LOCK BY TRACK CIRCUITS	BACK LOCK BY TRACK CIRCUITS	SIGNAL REPLACED BY TRACK CIRCUITS	OVERLAP RELEASES AFTER 120 SEC BY		SLOTTED BY GATE	RELEASED BY OTHER CONTROLS & SIDING POINT DETECTION	LOCKS ROUTES	SIGNAL ASPECT CONTROLLED BY				REMARKS
			SIGNAL BUTTON	ROUTE BUTTON	Point		TRACK CIRCUIT	Point		TRACK CIRCUIT	Point							OCCUPIED BY TRACK CIRCUITS	CLEARANCE OF TRACK CIRCUITS				YELLOW WITH ROUTE	YELLOW	DOUBLE YELLOW	GREEN	
					NOR.	REV.		NOR.	REV.		NOR.	REV.															
12	S02	DN LOOP SET TO MAIN	S02	01-1	102	104	H02T,102BT,104T,01AT,01BT	101	105	105AT,105BT,101BT,04/06T	--	--	CH01,CH02,CH04	--	DEAD APPROACH	H02T,102BT,104T	H02T	01AT,01BT	104T	--	--	CO2-01-1,SH41-01	S06 RG/HG	--	--	--	TIME RELEASE 120 SEC
13	C02	DN MAIN	C02	02	102,104	--	C02 OCCUPIED	--	--	--	--	--	CH02,CH04	--	DEAD APPROACH	H02T,102BT,104T	--	--	--	--	--	S02-02,S04-04-06,S06-04-06,SH41-02,SH41-01-1,SH41-03,SH41-04-1,SH44-04-06,SH46-04-06	--	--	--	--	TIME RELEASE 120 SEC. HG CLEARS AFTER 60 SEC
14	C02	DN LOOP	C02	01-1	102	104	C02 OCCUPIED	--	--	--	(105W SH41-03, SH41-04-1, SH44-04-06, SH46-04-06)	--	CH02,CH04	--	DEAD APPROACH	H02T,102BT,104T	--	--	--	--	--	S02-01-2,S02-01-1,S06-04-06,SH41-02,SH41-01-1	--	--	--	--	TIME RELEASE 120 SEC. HG CLEARS AFTER 60 SEC
15	S03	UP MAIN	S03	03-05	102,106	--	106BT,102AT,03/05T	--	--	--	--	--	CH03,CH04	--	03BT,03AT,S01-03	106BT,102AT	106BT	--	--	--	--	C01-03,SH42-03,SH41-03	--	S07 RG/DG	--	S07 DG	TIME RELEASE 120 SEC.
16	S04	DN MAIN	S04	04-06	101,105	--	105BT,101BT,04/06T	--	--	--	--	--	CH01,CH02	--	02BT,02AT,S02-02	105BT,101BT	105BT	--	--	--	--	C02-02,SH41-02	--	S08 RG/DG	--	S08 DG	TIME RELEASE 120 SEC.
17	S05	UP MAIN	S05	03-05	102	106	106AT,106BT,102AT,03/05T	--	--	--	--	--	CH03,CH04	--	04BT,04AT	106AT,106BT,102AT	106AT	--	--	--	--	C01-03,C01-04-1,SH41-03,SH42-04-1,SH41-04-1	--	S07 RG/DG	--	--	TIME RELEASE 120 SEC.
18	S06	DN MAIN	S06	04-06	101	105	105AT,105BT,101BT,04/06T	--	--	--	--	--	CH01,CH02	--	01BT,01AT	105AT,105BT,101BT	105AT	--	--	--	--	C02-02,C02-01-1,SH41-01-1	--	S08 RG/DG	--	--	TIME RELEASE 120 SEC.
19	S07	UP MAIN	S07	07	102	--	07T	--	--	--	--	--	CH04	--	--	--	07T	--	--	--	--	SH42-03,SH42-04-1	--	--	--	--	CONTROLLED BY UP LINE BLOCK INSTRUMENT 'LINE CLEAR' CONDITION. LINE DLBP CLEAR
20	S08	DN MAIN	S08	08	--	--	08T	--	--	--	--	--	--	--	--	--	08T	--	--	--	--	SH41-02,SH41-03,SH41-04-1,SH41-01-1,SH44-04-06,SH46-04-06	--	--	--	--	CONTROLLED BY DN LINE BLOCK INSTRUMENT 'LINE CLEAR' CONDITION. LINE DLBP CLEAR
21	SH41	DN MAIN	SH41	02	101,105	--	101BT,105BT	--	--	--	--	--	CH01,CH02	--	04/06T	101BT,105BT	101BT	--	--	--	--	S02-02,S02-01-2,C02-02,C02-01-1,S04-04-06,S08-08	--	--	--	--	TIME RELEASE 120 SEC.
22	SH41	UP MAIN	SH41	03	103	101	101BT,101AT,103T	--	--	--	(105W C02-01-1)	--	CH01,CH03	--	04/06T	101BT,101AT,103T	101BT	--	--	--	--	S05-03-05,S08-08,S03-03-05,SH42-03,SH44-04-06,C02-02	--	--	--	--	TIME RELEASE 120 SEC.
23	SH41	UP LOOP	SH41	04-1	--	101,103	101BT,101AT,103T	--	--	--	(105W C02-01-1)	--	CH01,CH03	--	04/06T	101BT,101AT,103T	101BT	--	--	--	--	S08-08,S05-03-05,SH42-04-1,SH46-04-06,C02-02	--	--	--	--	TIME RELEASE 120 SEC.

PRODUCTION & CHECKER BLOCK				INTERLOCKING CONTROL TABLE										PART II					
COMPANY		RAILWAYS												SHEET No:		VERSION			
DRAWN		DRAWN	(SSE/D)*											ICT.ZONE.DIV.XXX.Ø1		Ø03		Ø1	
CHECKED	(SD)†	CHECKED	(ASTE)*											XXX (DOUBLE LINE LAYOUT 1)		Ø03		Ø1	
	(DV)†		(SSTE)*																
APPROVED	(CRE)†	APPROVED	(Dy.CSTE)*																
CRE: CONTRACTOR'S RESPONSIBLE ENGINEER *SIGNATURE WITH DATE, † SIGNATURE WITH DATE AND LICENSE No																			

SNo.	SIGNAL NO.	TO DESTINATION	SELECT ROUTE		IN ROUTE			OVERLAP			ISOLATION		CRANK HANDLE NORMAL	FOULING TRACK CIRCUITS	APPROACH LOCK BY TRACK CIRCUITS	BACK LOCK BY TRACK CIRCUITS	SIGNAL REPLACED BY TRACK CIRCUITS	OVERLAP RELEASES AFTER 120 SEC BY		SLOTTED BY GATE	RELEASED BY OTHER CONTROLS & SIDING POINT DETECTION	LOCKS ROUTES	SIGNAL ASPECT CONTROLLED BY				REMARKS
			SIGNAL BUTTON	ROUTE BUTTON	Point		TRACK CIRCUIT	Point		TRACK CIRCUIT	Point							OCCUPIED BY TRACK CIRCUITS	CLEARANCE OF TRACK CIRCUITS				YELLOW WITH ROUTE	YELLOW	DOUBLE YELLOW	GREEN	
					NOR.	REV.		NOR.	REV.		NOR.	REV.															
24	SH41	DN LOOP	SH41	01-1	101	105	101BT, 105BT, 105AT	-	-	-	-	-	CH01, CH02	-	04/06T	101BT, 105BT, 105AT	101BT	-	-	-	-	S02-01-1,C02-02, C02-01-1,S06-04-06, S08-08	-	-	-	-	TIME RELEASE 120 SEC.
25	SH42	UP MAIN	SH42	03	102, 106	-	102AT, 106BT	-	-	-	-	-	CH03, CH04	-	03/05T	102AT, 106BT	102AT	-	-	-	-	S01-03,S01-04-2, C01-03, C01-04-1, S03-03-05,S07-07, SH41-03	-	-	-	-	TIME RELEASE 120 SEC.
26	SH42	UP LOOP	SH42	04-1	102	106	102AT, 106BT, 106AT	-	-	-	-	-	CH03, CH04	-	03/05T	102AT, 106BT, 106AT	102AT	-	-	-	-	S01-04-1,C01-03, C01-04-1, S05-03-05, S07-07, SH41-04-1	-	-	-	-	TIME RELEASE 120 SEC.
27	SH44	DN MAIN	SH44	06-08	103	101	103T, 101AT, 101BT	-	-	-	(105W C02-01-1)	-	CH01, CH02, CH03	-	03AT, 03BT	103T, 101AT, 101BT	103T	-	-	-	-	SH41-03,S08-08, C02-02	-	-	-	-	TIME RELEASE 120 SEC.
28	SH46	DN MAIN	SH46	06-08	-	101, 103	103T, 101AT, 101BT	-	-	-	(105W C02-01-1)	-	CH01, CH02, CH03	-	04AT, 04BT	103T, 101AT, 101BT	103T	-	-	-	-	SH41-04-1,S08-08, C02-02	-	-	-	-	TIME RELEASE 120 SEC.



PRODUCTION & CHECKER BLOCK				<p style="text-align: center;">INTERLOCKING CONTROL TABLE</p> <p style="text-align: center;">PART III</p>				SHEET No:		VERSION			
COMPANY		RAILWAYS										ICT.ZONE.DIV.XXX.Ø1	
DRAWN		DRAWN	(SSE/D)*										
CHECKED	(SD)†	CHECKED	(ASTE)*										
	(DV)†		(SSTE)*										
APPROVED	(CRE)†	APPROVED	(Dy.CSTE)*	XXX (DOUBLE LINE LAYOUT 1)		ØØ4		Ø1					
CRE: CONTRACTOR'S RESPONSIBLE ENGINEER *SIGNATURE WITH DATE, † SIGNATURE WITH DATE AND LICENSE No													